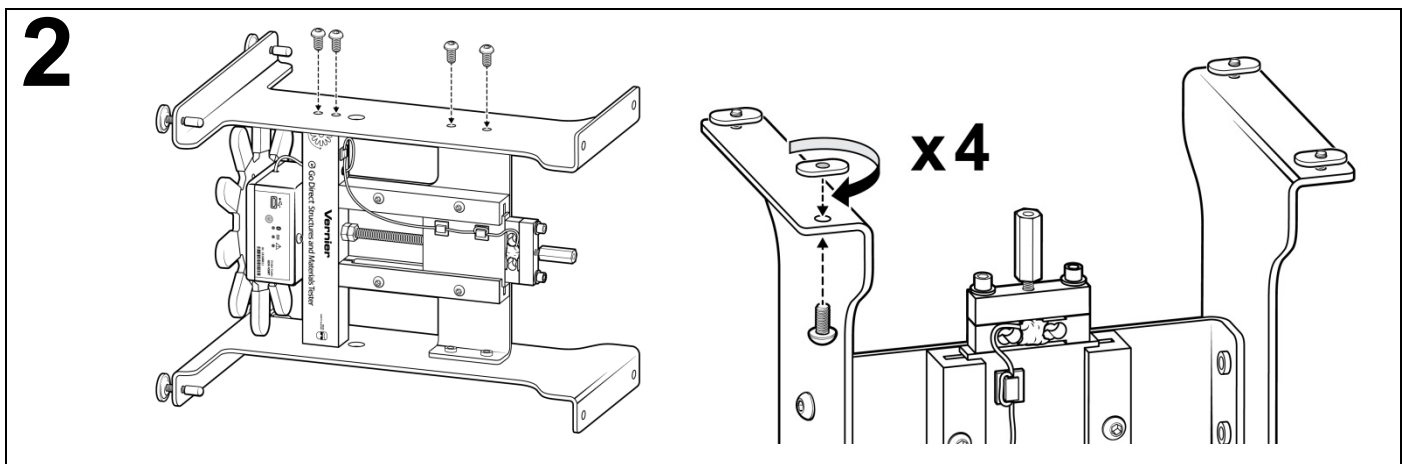
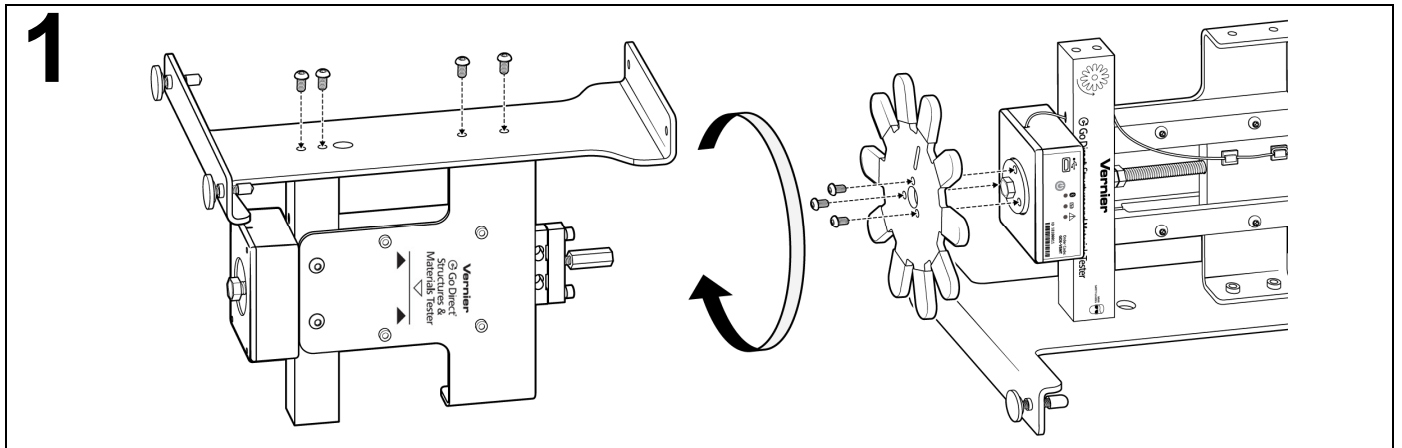
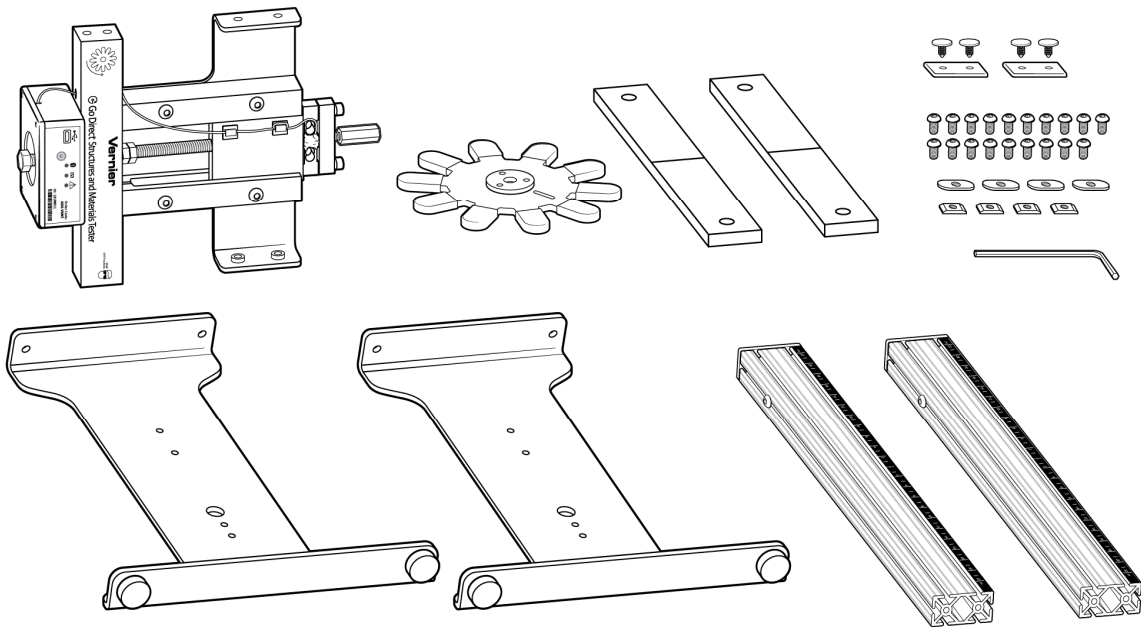
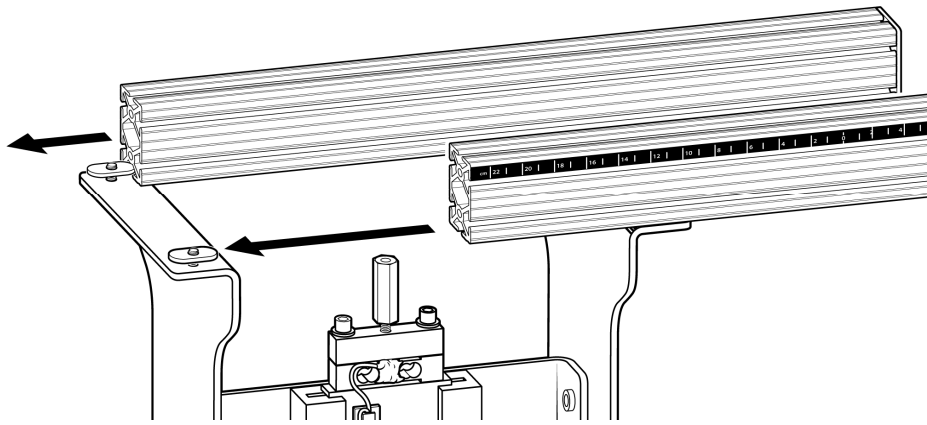


Go Direct[®] Structures & Materials Tester Assembly Instructions

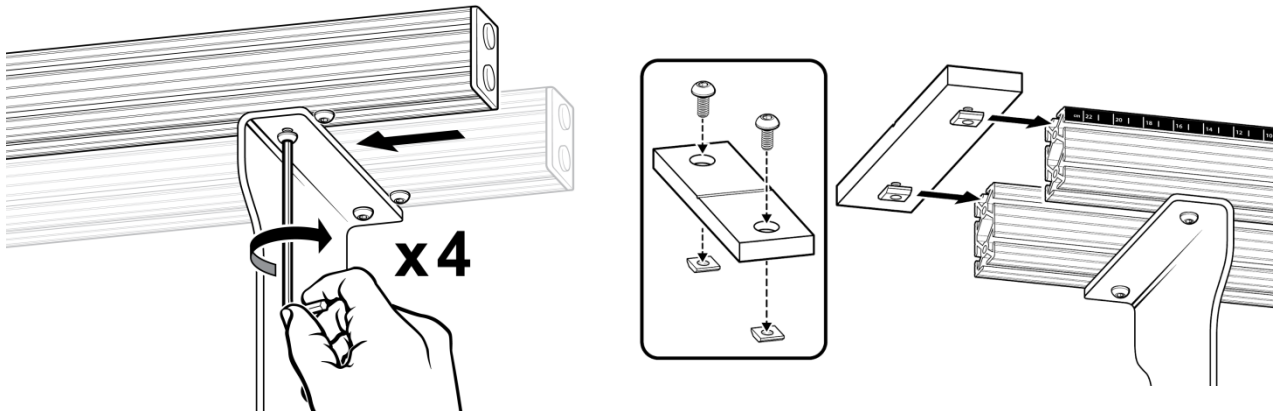
View full user documentation at www.vernier.com/manuals/gdx-vsmt



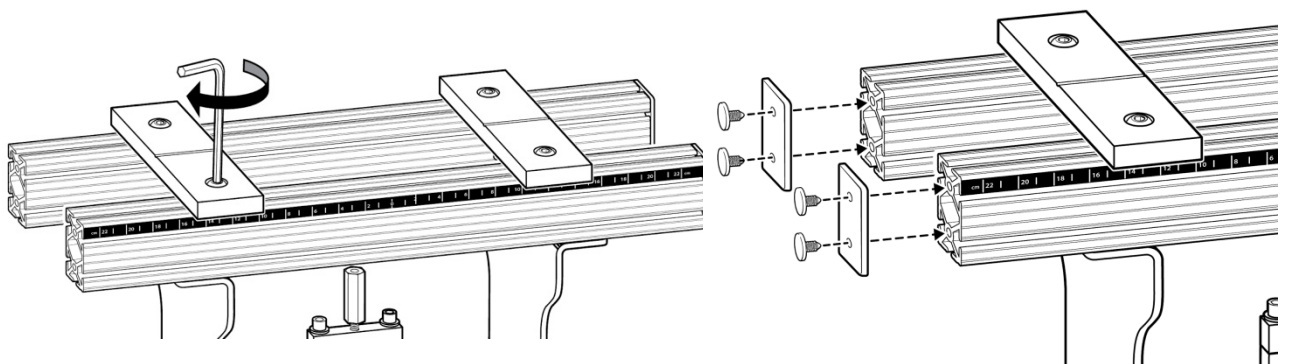
3

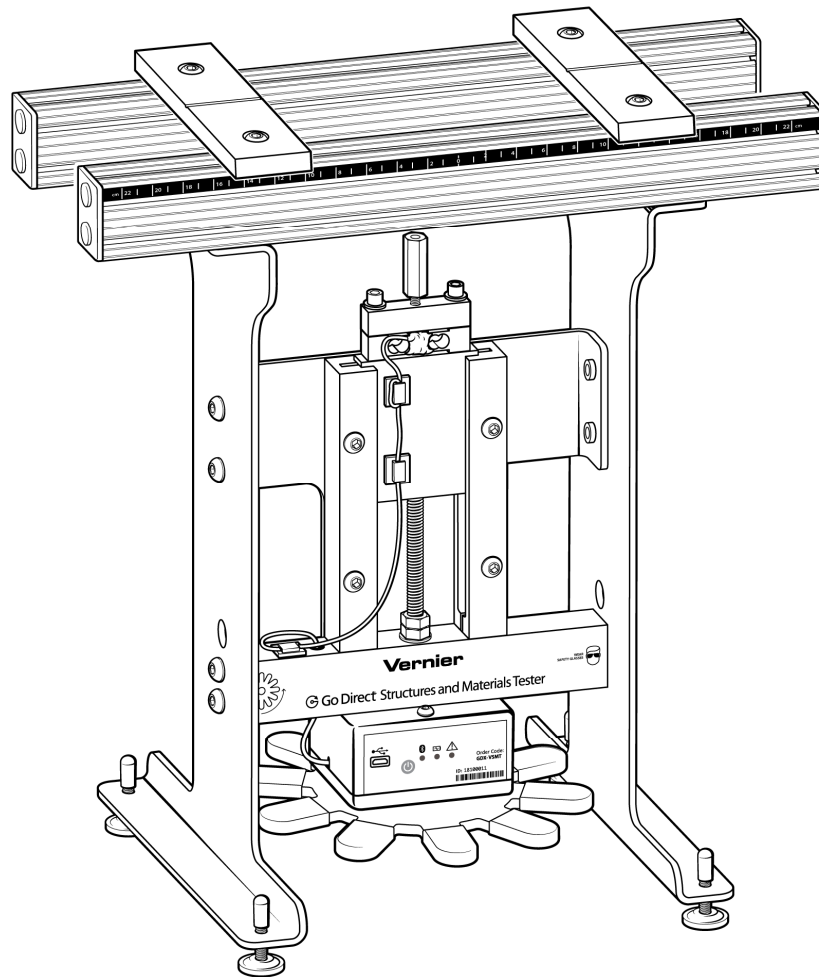


4



5





Getting Started

Please see the following link for platform-specific connection information:

www.vernier.com/start/gdx-vsmt

Bluetooth Connection

1. Install Graphical Analysis™ 4 on your computer, mobile device, or Chromebook™. See www.vernier.com/ga4 for software availability.
2. Charge your Go Direct Structures & Materials Tester for at least 8 hours before first use.
3. Turn on your Go Direct Structures & Materials Tester by pressing the power button once. The Bluetooth® LED will blink red.
4. Launch Graphical Analysis 4.
5. Click or tap Sensor Data Collection.
6. Click or tap your Go Direct Structures & Materials Tester from the list of Discovered Wireless Devices. Your sensor's ID is located near the barcode on the sensor. The Bluetooth LED will blink green when it is successfully connected.
7. The active channel is listed in the Connected Devices Sensor Channels list. To change channels, select the check box next to the Sensor Channel(s) you would like to activate.
8. Click or tap Done to enter data-collection mode.

View full user documentation at

www.vernier.com/manuals/gdx-vsmt

Federal Communication Commission Interference Statement

This equipment has been tested and found to comply with the limits for a Class B digital device, pursuant to Part 15 of the FCC rules. These limits are designed to provide reasonable protection against harmful interference in a residential installation. This equipment generates, uses and can radiate radio frequency energy and, if not installed and used in accordance with the instructions, may cause harmful interference to radio communications. However, there is no guarantee that interference will not occur in a particular installation. If this equipment does cause harmful interference to radio or television reception, which can be determined by turning the equipment off and on, the user is encouraged to try to correct the interference by one or more of the following measures:

- Reorient or relocate the receiving antenna.
- Increase the separation between the equipment and receiver.
- Connect the equipment into an outlet on a circuit different from that to which the receiver is connected.
- Consult the dealer or an experienced radio/TV technician for help.

FCC Caution

This device complies with Part 15 of the FCC Rules. Operation is subject to the following two conditions:

- (1) this device may not cause harmful interference and
- (2) this device must accept any interference received, including interference that may cause undesired operation

RF Exposure Warning

The equipment complies with RF exposure limits set forth for an uncontrolled environment. The antenna(s) used for this transmitter must not be co-located or operating in conjunction with any other antenna or transmitter. You are cautioned that changes or modifications not expressly approved by the party responsible for compliance could void your authority to operate the equipment.

IC Statement

This device complies with Industry Canada license-exempt RSS standard(s). Operation is subject to the following two conditions:

- (1) this device may not cause interference, and
- (2) this device must accept any interference, including interference that may cause undesired operation of the device.

Industry Canada - Class B This digital apparatus does not exceed the Class B limits for radio noise emissions from digital apparatus as set out in the interference-causing equipment standard entitled "Digital Apparatus," ICES-003 of Industry Canada. Operation is subject to the following two conditions: (1) this device may not cause interference, and

- (2) this device must accept any interference, including interference that may cause undesired operation of the device.

To reduce potential radio interference to other users, the antenna type and its gain should be so chosen that the equivalent isotropically radiated power (e.i.r.p.) is not more than that permitted for successful communication.

RF exposure warning: The equipment complies with RF exposure limits set forth for an uncontrolled environment. The antenna(s) used for this transmitter must not be co-located or operating in conjunction with any other antenna or transmitter.

Le présent appareil est conforme aux CNR d'Industrie Canada applicables aux appareils radio exempts de licence. L'exploitation est autorisée aux deux conditions suivantes :

- (1) l'appareil ne doit pas produire de brouillage, et
- (2) l'appareil doit accepter toute interférence radioélectrique, même si cela résulte à un brouillage susceptible d'en compromettre le fonctionnement.

Cet appareil numérique respecte les limites de bruits radioélectriques applicables aux appareils numériques de Classe B prescrites dans la norme sur le matériel interférent-brouilleur: "Appareils Numériques," NMB-003 édictée par Industrie Canada. L'utilisation est soumise aux deux conditions suivantes:

- (1) cet appareil ne peut causer d'interférences, et
- (2) cet appareil doit accepter toutes interférences, y comprises celles susceptibles de provoquer un dysfonctionnement du dispositif.

Afin de réduire les interférences radio potentielles pour les autres utilisateurs, le type d'antenne et son gain doivent être choisis de telle façon que l'équivalent de puissance isotrope émis (e.i.r.p) n'est pas plus grand que celui permis pour une communication établie.

Avertissement d'exposition RF: L'équipement est conforme aux limites d'exposition aux RF établies pour un environnement non supervisé. L'antenne (s) utilisée pour ce transmetteur ne doit pas être jumelée ou fonctionner en conjonction avec toute autre antenne ou transmetteur.

Note: This product is a sensitive measurement device. For best results, use the cables that were provided. Keep the device away from electromagnetic noise sources, such as microwaves, monitors, electric motors, and appliance.



Vernier Software & Technology

13979 S. W. Millikan Way • Beaverton, OR 97005-2886
Toll Free (888) 837-6437 • (503) 277-2299 • FAX (503) 277-2440
info@vernier.com • www.vernier.com

Rev. 2/5/2020

Vernier, Go Direct, Graphical Analysis, LabQuest, and other marks shown are our trademarks or registered trademarks in the United States. All other marks not owned by us that appear herein are the property of their respective owners, who may or may not be affiliated with, connected to, or sponsored by us.

The Bluetooth® word mark and logos are registered trademarks owned by the Bluetooth SIG, Inc. and any use of such marks by Vernier Software & Technology is under license. Other trademarks and trade names are those of their respective owners.



Printed on recycled paper