

Go Direct[®] Energy

(Order Code GDX-NRG)



Go Direct Energy measures the voltage and current of a renewable energy source. Connect a source, such as a small wind turbine or solar panel, and Graphical Analysis 4 calculates the power, resistance, and energy output.

Go Direct Energy is ideal for a wide variety of renewable energy experiments:

- Investigate the electrical energy generated by a wind turbine or solar panel.
- Explore the effect of load on wind turbine or solar panel output.
- Test blade design variables and evaluate data to determine optimal blade design.

Note: Vernier products are designed for educational use. Our products are not designed nor are they recommended for any industrial, medical, or commercial process such as life support, patient diagnosis, control of a manufacturing process, or industrial testing of any kind.

What's Included

- Go Direct Energy
- Micro USB Cable

Compatible Software

See www.vernier.com/manuals/gdx-nrg for a list of software compatible with the Go Direct Energy.

Getting Started

1. Connect the Go Direct Energy red lead to the red wire of your energy source (generator, solar panel, etc.).
2. Connect the Go Direct Energy black lead to the black wire of your source.
3. Make sure the Load switch is set to Internal 30 Ω Load.

Please see the following link for platform-specific connection information:

www.vernier.com/start/gdx-nrg

Bluetooth Connection

1. Install Vernier Graphical Analysis™ on your computer, Chromebook™, or mobile device. If using LabQuest®, make sure LabQuest App is up to date. See www.vernier.com/ga4 for Graphical Analysis availability or www.vernier.com/downloads to update LabQuest App.

USB Connection

1. If using a computer or Chromebook, install Vernier Graphical Analysis. If using LabQuest, make sure LabQuest App is up to date. See www.vernier.com/ga4 for Graphical Analysis availability or www.vernier.com/downloads to update LabQuest App.

2. Charge your sensor for at least 2 hours before first use.
3. Turn on your sensor by pressing the power button once. The Bluetooth[®] LED will blink red.
4. Launch Graphical Analysis or turn on LabQuest.
5. If using Graphical Analysis, click or tap Sensor Data Collection. If using LabQuest, choose Wireless Device Setup > Go Direct from the Sensors menu.
6. Select your Go Direct sensor from the list of Discovered Wireless Devices. Your sensor's ID is located near the barcode on the sensor. The Bluetooth LED will blink green when it is successfully connected.
7. Click or tap Done. You are now ready to collect data.
8. This is a multi-channel sensor. To change the channel selections, see www.vernier.com/start/gdx-nrg
2. Connect the sensor to the USB port.
3. Launch Graphical Analysis or turn on LabQuest. You are now ready to collect data.
4. This is a multi-channel sensor. To change the channel selections, see www.vernier.com/start/gdx-nrg

Note: This sensor does not work with the original LabQuest. It works with LabQuest 2 or LabQuest 3.

⚠ WARNING: To avoid possible electric shock or personal injury, do not connect the red or black leads to household power. This product is designed to measure low-voltage sources such as classroom-scale wind turbines and small solar panels. It should never be connected to an electrical outlet.

Charging the Sensor

Connect Go Direct Energy to the included USB Charging Cable and any USB device for two hours.

You can also charge up to Go Direct Energy Sensors using our Go Direct Charge Station, sold separately (order code: GDX-CRG). An LED on each Go Direct Energy indicates charging status.

Charging	Orange LED next to the battery icon is solid while the sensor is charging.
Fully charged	Green LED next to the battery icon is solid when the sensor is fully charged.

Powering the Sensor

Turning on the sensor	Press the Power button once. Red LED indicator next to the Bluetooth icon flashes when the unit is on.
Putting the sensor in sleep mode	Press and hold the Power button for more than three seconds to put into sleep mode. Red LED indicator next to Bluetooth icon stops flashing when sleeping.

Connecting the Sensor

See the following link for up-to-date connection information:

www.vernier.com/start/gdx-nrg

Connecting via Bluetooth

Ready to connect	Red LED next to the Bluetooth icon flashes when sensor is awake and ready to connect.
Connected	Green LED next to the Bluetooth icon flashes when sensor is connected via Bluetooth.

Connecting via USB

Connected and charging	Orange LED next to the battery icon is solid when the sensor is connected to Graphical Analysis via USB and the unit is charging. LED next to Bluetooth icon is off.
Connected, fully charged	Green LED next to the battery icon is solid when the sensor is connected to Graphical Analysis via USB and fully charged. LED next to Bluetooth icon is off.
Charging via USB, connected via Bluetooth	Orange LED next to the battery icon is solid when the sensor is charging. Green LED next to the Bluetooth icon flashes.

Using the Product


Connect the sensor following the steps in the Getting Started section of the user manual.

Connecting the Energy Sensor to an Energy Source

The Vernier Energy sensor is designed to measure the output of simple generators and solar panels, such as the KidWind renewable energy kits. Connect the red clip lead on the sensor to the positive (red) side of the energy source and the black clip lead to the negative (black) side of the energy source.

In the most common configuration, the Load switch should be set to Internal 30 Ω Load.

To use an external load, such as a pump, lights, buzzers, etc., set the Load switch to External Load.

The Check Load LED, , will flash when Go Direct Energy detects that there is a potential between the red and black leads, but no load is connected. If you do not have an external load connected, make sure the Load switch is set to Internal 30 Ω Load. Using Go Direct Energy with this LED flashing will result in measurements of potential, but since no current flows, there will be no other quantities measured.

Channels

Go Direct Energy records data in five measurement channels:

- Potential (V)
- Current (mA)
- Power (mW)
- Resistance (Ω)
- Energy (J)

Energy

If your goal is to simply compare the total amount of electrical energy produced in a given time, such as in the KidWind Challenge, the most common number to use is the final value of the Energy column. Energy is the measure of how much total power is generated or used over a period of time. This sensor uses units of joules, abbreviated J, to measure energy.

Current

Current is the measure of the flow of electrons through the wires. When the current is high, the electrons flow quickly through a circuit. When the current is low, the electrons flow more slowly. This sensor uses units of milliamperes, often called milliamps for short. The symbol used to represent milliamps is mA.

Potential

To make the electrons move through the wire, they need to be "pushed." The amount of push is called the potential difference. Potential difference is measured in units of volts. The letter V is used to represent a volt.

Power

Power is the measure of how quickly energy is generated or used. This sensor uses units of milliwatts, abbreviated mW, to measure power.

Resistance

Resistance is a measure of the amount of opposition to the passage of an electric current. The unit for resistance is ohm and is represented by the Greek letter capital omega, Ω .

Using the Load Switch

When the Load switch is set to Internal, the load is an internal 30 Ω resistor inside the Energy sensor. When the Load switch is set to External Load, you

will need to connect an external load. For example, in several experiments students explore the effect of load on energy output.

Videos

View videos related to this product at www.vernier.com/gdx-nrg

Calibrating the Sensor

The sensor is factory calibrated. You should never have to perform a new calibration for Go Direct Energy.

Specifications

Source input potential range	± 5 V (for internal load) ± 30 V (for external load)
Source input current range	± 0.18 A (for internal load) ± 1 A (for external load)
Resolution	1 mV 40 μ A
Input impedance	1 M Ω
Insertion resistance	1 Ω
Wireless specification	Bluetooth 4.2
Maximum wireless range	30 m
Battery	300 mA Li-Poly
Battery life (single full charge)	~24 hours
Battery life (long term)	~500 full charge cycles (several years depending on usage)

Care and Maintenance

Battery Information

Go Direct Energy contains a small lithium-ion battery. The system is designed to consume very little power and not put heavy demands on the battery. Although the battery is warranted for one year, the expected battery life should be several years. Replacement batteries are available from Vernier (order code: GDX-BAT-300).

Storage and Maintenance

To store Go Direct Energy for extended periods of time, put the device in sleep mode by holding the button down for at least three seconds. The red LED will stop flashing to show that the unit is in sleep mode. Over several months, the battery will discharge but will not be damaged. After such storage, charge the device for a few hours, and the unit will be ready to go.

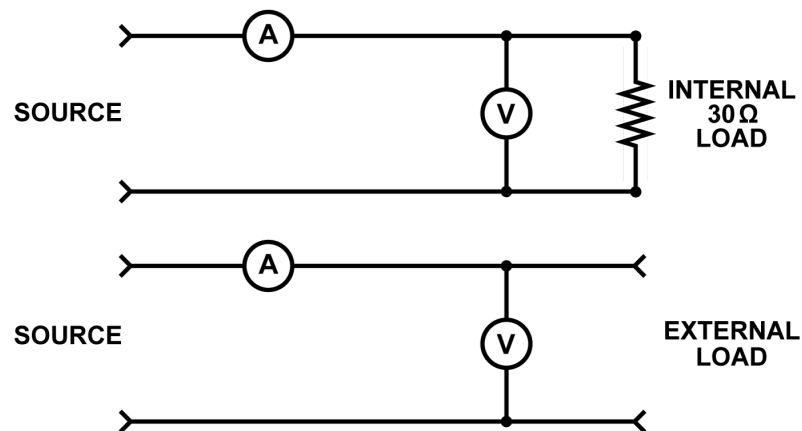
Exposing the battery to temperatures over 35°C (95°F) will reduce its lifespan. If possible, store the device in an area that is not exposed to temperature extremes.

Water Resistance

Go Direct Energy is not water resistant and should never be immersed in water. If water gets into the device, immediately power the unit down (press and hold the power button for more than three seconds). Disconnect the sensor and charging cable, and remove the battery. Allow the device to dry thoroughly before attempting to use the device again. Do not attempt to dry using an external heat source.

How the Sensor Works

Go Direct Energy measures the potential across the load, as well as the current through the load. The power, energy, and resistance values are all calculated from the potential and current.



Does the sensor need to be grounded?

No, Go Direct Energy does not need to be grounded. However, be aware that the black lead is common to the USB ground, so if you are using Go Direct Energy connected to USB, the ground of your USB device is the same as the circuit ground.

Connecting an External Load to the Energy Sensor

You can connect an external load such as any electrical device that is meant to run on DC electricity at a voltage that matches the power source. Examples include the Vernier Variable Load (order code VES-VL), the Vernier Resistor Board (order code VES-RB), single component resistors, motors, pumps, or LEDs. The metal-coated holes are designed to accommodate alligator clip connectors.

Self-resetting Fuse


The circuit in Go Direct Energy includes a self-resetting fuse to protect the components from accidental overloading. Currents over 1 A (external load) or 0.18 A (internal load) may cause the fuse to open the circuit. In this case, you

will have to wait a few minutes for the fuse to reset itself before using Go Direct Energy again.

Can I use this as a Current Sensor or a Voltage Sensor?

Although Go Direct Energy can be used to measure simple circuits in a physics classroom, it is designed primarily for use with simple motors and solar panels. We recommend the Go Direct Voltage and Go Direct Current sensors for doing battery-and-bulb type experiments, as the addition of a load is not necessary when using those sensors.

Troubleshooting

The Check Load LED, , will flash when Go Direct Energy detects that there is a potential between the red and black leads, but no load is connected. If you do not have an external load connected, make sure the Load switch is set to Internal 30 Ω Load. Using Go Direct Energy with this LED flashing will result in measurements of potential, but since no current flows, no other quantities will be measured.

Resistance Values Fluctuate

When the current and voltage values are near zero, the resistance value is not meaningful; it may fluctuate widely.

Thermal Protection

Go Direct Energy uses internal thermal fuses to protect the sensor from overheating. For the Internal Load, if the potential increases above 5.5 V, the thermal fuse will start to engage and internal resistance will begin to increase. Over approximately 7.7 V, the thermal fuse will fully engage, meaning that the sensor is overheated and all readings will go to zero. If this happens, disconnect all wires and allow the sensor to cool for 10 minutes before starting another measurement.

When using the External Load, the thermal fuse will start to engage if the current increases above 1.1 A. Continued operation above this point will cause the thermal fuse to fully engage, meaning that the sensor is overheated and all readings will go to zero.

For additional troubleshooting and FAQs, see www.vernier.com/til/4123

Repair Information

If you have followed the troubleshooting steps and are still having trouble with your Go Direct Energy, contact Vernier Technical Support at support@vernier.com or call 888-837-6437. Support specialists will work with you to determine if the unit needs to be sent in for repair. At that time, a Return Merchandise Authorization (RMA) number will be issued and instructions will be communicated on how to return the unit for repair.

Accessories/Replacements

Item	Order Code
Micro USB Cable	CB-USB-MICRO
USB-C to Micro USB Cable	CB-USB-C-MICRO
Go Direct 300 mAh Replacement Battery	GDX-BAT-300
Vernier Variable Load	VES-VL
Vernier Resistor Board	VES-RB
KidWind Advanced Wind Experiment Kit	KW-AWX
KidWind Basic Wind Experiment Kit	KW-BWX
KidWind MINI Wind Turbine	KW-MWT
KidWind 2V/400mA Solar Panel	KW-SP2V

Warranty

Warranty information for this product can be found on the Support tab at www.vernier.com/gdx-nrg

General warranty information can be found at www.vernier.com/warranty

Disposal

When disposing of this electronic product, do not treat it as household waste. Its disposal is subject to regulations that vary by country and region. This item should be given to an applicable collection point for the recycling of electrical and electronic equipment. By ensuring that this product is disposed of correctly, you help prevent potential negative consequences on human health or on the environment. The recycling of materials will help to conserve natural resources. For more detailed information about recycling this product, contact your local city office or your disposal service.

Battery recycling information is available at www.call2recycle.org

Do not puncture or expose the battery to excessive heat or flame.



The symbol, shown here, indicates that this product must not be disposed of in a standard waste container.

Federal Communication Commission Interference Statement

This equipment has been tested and found to comply with the limits for a Class B digital device, pursuant to Part 15 of the FCC rules. These limits are designed to provide reasonable protection against harmful interference in a residential installation. This equipment generates, uses and can radiate radio frequency energy and, if not installed and used in accordance with the instructions, may cause harmful interference to radio communications. However, there is no guarantee that interference will not occur in a particular installation. If this equipment does cause harmful interference to radio or television reception, which can be determined by turning the equipment off and on, the user is encouraged to try to correct the interference by one or more of the following measures:

- Reorient or relocate the receiving antenna.
- Increase the separation between the equipment and receiver.
- Connect the equipment into an outlet on a circuit different from that to which the receiver is connected.
- Consult the dealer or an experienced radio/TV technician for help.

FCC Caution

This device complies with Part 15 of the FCC Rules. Operation is subject to the following two conditions:

- (1) this device may not cause harmful interference and
- (2) this device must accept any interference received, including interference that may cause undesired operation

RF Exposure Warning

The equipment complies with RF exposure limits set forth for an uncontrolled environment. The antenna(s) used for this transmitter must not be co-located or operating in conjunction with any other antenna or transmitter. You are cautioned that changes or modifications not expressly approved by the party responsible for compliance could void your authority to operate the equipment.

IC Statement

This device complies with Industry Canada license-exempt RSS standard(s). Operation is subject to the following two conditions:

(1) this device may not cause interference, and

(2) this device must accept any interference, including interference that may cause undesired operation of the device.

Industry Canada - Class B This digital apparatus does not exceed the Class B limits for radio noise emissions from digital apparatus as set out in the interference-causing equipment standard entitled "Digital Apparatus," ICES-003 of Industry Canada. Operation is subject to the following two conditions: (1) this device may not cause interference, and

(2) this device must accept any interference, including interference that may cause undesired operation of the device.

To reduce potential radio interference to other users, the antenna type and its gain should be so chosen that the equivalent isotropically radiated power (e.i.r.p.) is not more than that permitted for successful communication.

RF exposure warning: The equipment complies with RF exposure limits set forth for an uncontrolled environment. The antenna(s) used for this transmitter must not be co-located or operating in conjunction with any other antenna or transmitter.

Le présent appareil est conforme aux CNR d'Industrie Canada applicables aux appareils radio exempts de licence. L'exploitation est autorisée aux deux conditions suivantes :

(1) l'appareil ne doit pas produire de brouillage, et

(2) l'appareil doit accepter toute interférence radioélectrique, même si cela résulte à un brouillage susceptible d'en compromettre le fonctionnement.

Cet appareil numérique respecte les limites de bruits radioélectriques applicables aux appareils numériques de Classe B prescrites dans la norme sur le matériel interférent-brouilleur: "Appareils Numériques," NMB-003 édictée par Industrie Canada. L'utilisation est soumise aux deux conditions suivantes:

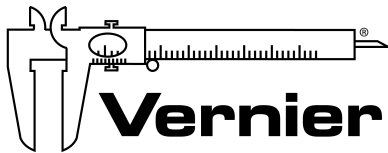
(1) cet appareil ne peut causer d'interférences, et

(2) cet appareil doit accepter toutes interférences, y comprises celles susceptibles de provoquer un dysfonctionnement du dispositif.

Afin de réduire les interférences radio potentielles pour les autres utilisateurs, le type d'antenne et son gain doivent être choisis de telle façon que l'équivalent de puissance isotrope émise (e.i.r.p) n'est pas plus grand que celui permis pour une communication établie.

Avertissement d'exposition RF: L'équipement est conforme aux limites d'exposition aux RF établies pour un environnement non supervisé. L'antenne (s) utilisée pour ce transmetteur ne doit pas être jumelée ou fonctionner en conjonction avec toute autre antenne ou transmetteur.

Note: This product is a sensitive measurement device. For best results, use the cables that were provided. Keep the device away from electromagnetic noise sources, such as microwaves, monitors, electric motors, and appliances.



Vernier Software & Technology
13979 SW Millikan Way • Beaverton, OR 97005-2886
Toll Free (888) 837-6437 • (503) 277-2299 • Fax (503) 277-2440
info@vernier.com • www.vernier.com

Rev. 2/18/2021

Go Direct, Vernier Graphical Analysis, LabQuest, and other marks shown are our trademarks or registered trademarks in the United States. All other marks not owned by us that appear herein are the property of their respective owners, who may or may not be affiliated with, connected to, or sponsored by us.

The Bluetooth® word mark and logos are registered trademarks owned by the Bluetooth SIG, Inc. and any use of such marks by Vernier Software & Technology is under license. Other trademarks and trade names are those of their respective owners.